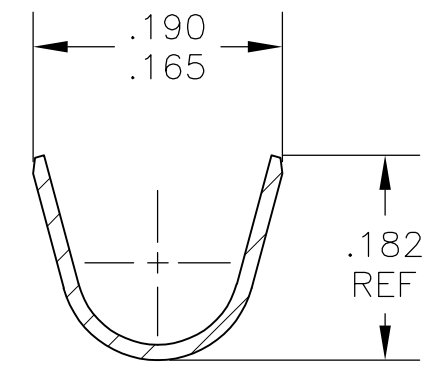
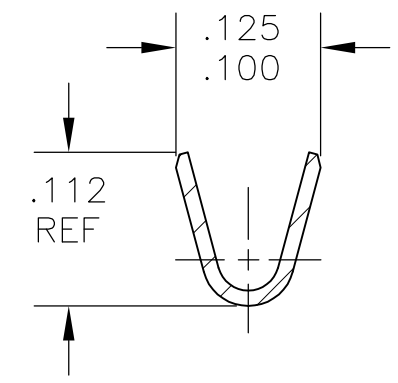
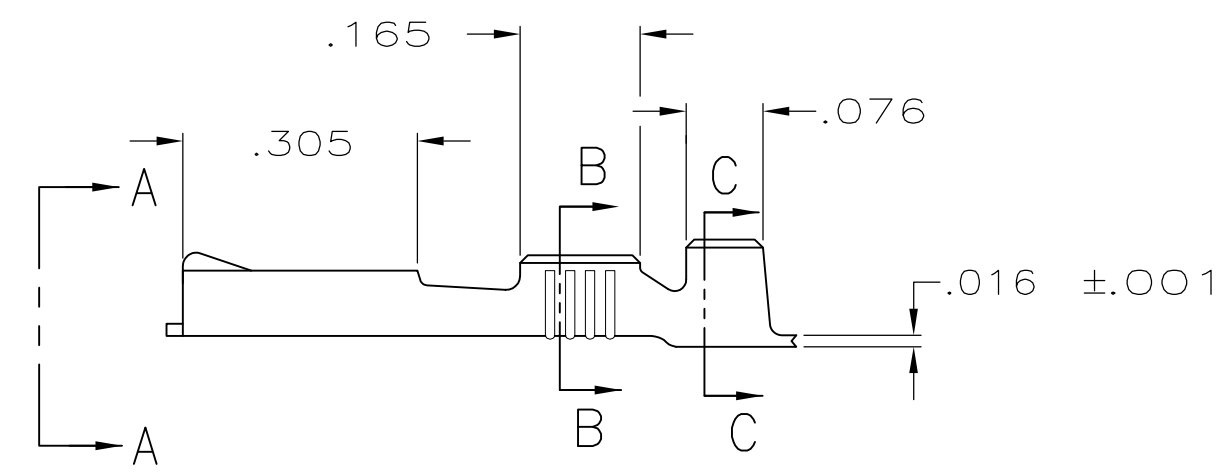
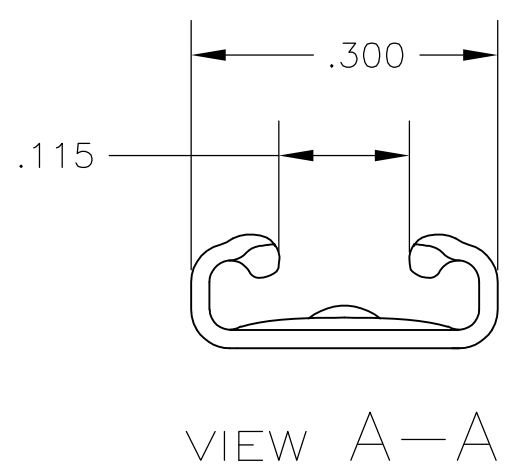
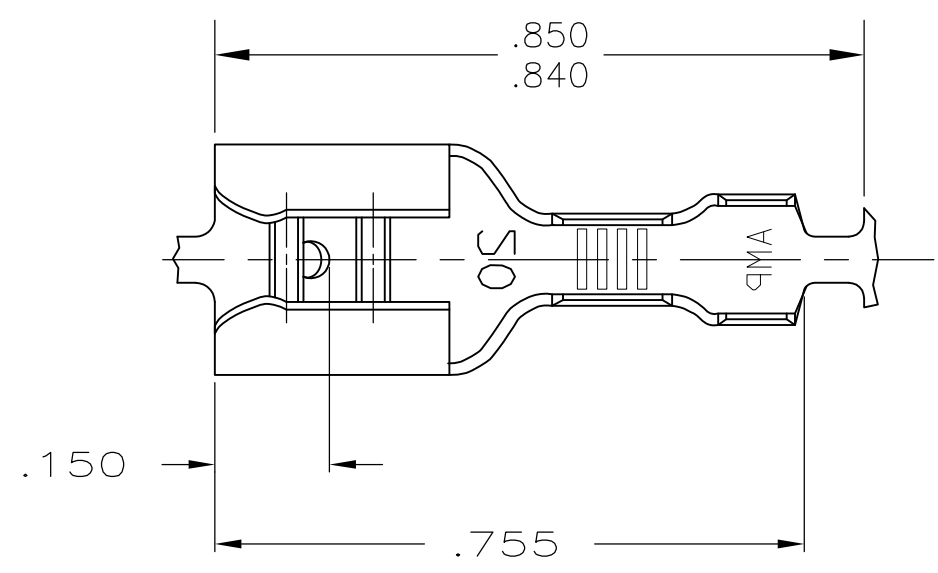


THIS DRAWING IS UNPUBLISHED. RELEASED FOR PUBLICATION  
 © COPYRIGHT - By - ALL RIGHTS RESERVED.

LOC	DIST	REVISIONS			
P	LTR	DESCRIPTION	DATE	DWN	APVD
AF	50	H	REVISED PER ECR-12-013445	09NOV12	KH PD

- 1 CONTINUOUS STRIP ON REELS.
- 2 WIRE SIZE 22-18 AWG
- 3 INSULATION RANGE .090-.130 DIA
- 4 MATING TAB THK IS .032±.001



SECTION B-B

SECTION C-C

TIN	42743-2
—	42743-1
FINISH	PART NO

THIS DRAWING IS A CONTROLLED DOCUMENT.		DWN	JR RUTH	5-14-86
DIMENSIONS: INCHES		CHK	G YETTER	5-16-86
TOLERANCES UNLESS OTHERWISE SPECIFIED:		APVD	C MEYERS	5-16-86
0 PLC ± -		PRODUCT SPEC		
1 PLC ± -		APPLICATION SPEC		
2 PLC ± -		114-2036		
3 PLC ± .015		WEIGHT -		
4 PLC ± -		CUSTOMER DRAWING		
ANGLES ± -		SCALE 4:1		
FINISH SEE ABOVE		SHEET 1 OF 1		
MATERIAL BRASS		REV H		

TE Connectivity				NAME	
				.250 SERIES FASTON RECEPTACLE	
SIZE	CAGE CODE	DRAWING NO	RESTRICTED TO		
A3	00779	C-42743	-		